

Hi-MO X10 Explorer

LR7-72HVH 630~650M

- Suitable for Distribution Market
- Highest efficiency with the best energy generation performance
- TaiRay wafer & BC technology enhances high product reliability
- Smart manufacturing & LONGi product lifecycle standards deliver exceptional product quality

15

15-year Warranty for
Materials and Processing

30

30-year Warranty for Extra
Linear Power Output

Complete System and Product Certifications

IEC 61215, IEC 61730, UL 61730

ISO9001:2015: ISO Quality Management System

ISO14001: 2015: ISO Environment Management System

ISO45001: 2018: Occupational Health and Safety

IEC62941: Guideline for module design qualification and type approval

LONGi



Hi-MO X10 Explorer

LR7-72HVH 630~650M

24.1%
MAX MODULE
EFFICIENCY

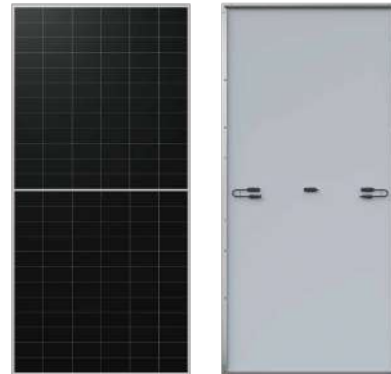
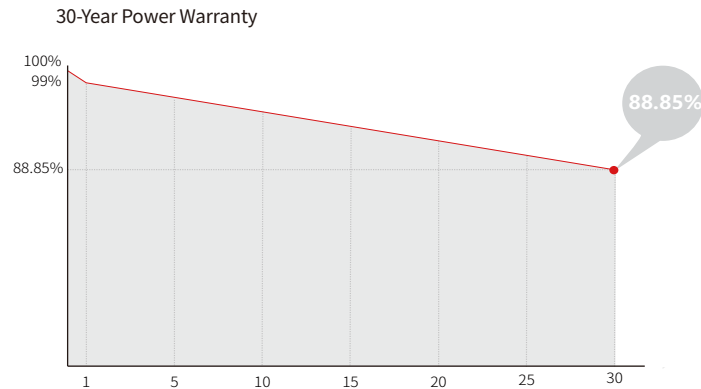
0~3%
POWER
TOLERANCE

<1%
FIRST YEAR
POWER DEGRADATION

0.35%
YEAR 2-30
POWER DEGRADATION

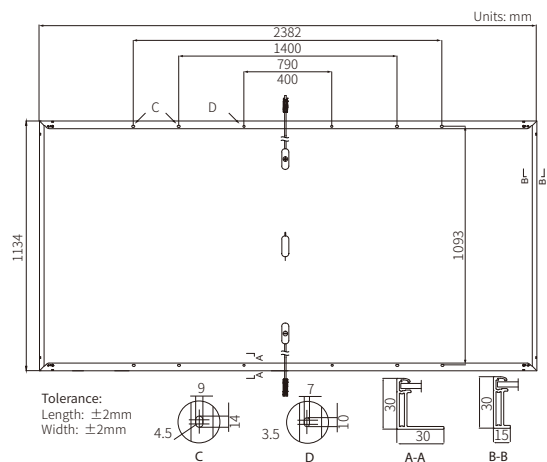
BC-CELL
LOWER OPERATING
TEMPERATURE

Additional Value



Mechanical Parameters

| | |
|------------------|---|
| Cell Orientation | 144 (6×24) |
| Junction Box | IP68, three diodes |
| Output Cable | 4mm ² , +400, -200mm/±1400mm length can be customized |
| Glass | Single glass, 3.2mm coated tempered glass |
| Frame | Anodized aluminum alloy frame |
| Weight | 28.5kg |
| Dimension | 2382×1134×30mm |
| Packaging | 36pcs per pallet / 144pcs per 20' GP / 720pcs per 40' HC |



Electrical Characteristics

STC : AM1.5 1000W/m² 25°C NOCT : AM1.5 800W/m² 20°C 1m/s Test uncertainty for Pmax: ±3%

| Module Type | LR7-72HVH-630M | | LR7-72HVH-635M | | LR7-72HVH-640M | | LR7-72HVH-645M | | LR7-72HVH-650M | |
|----------------------------------|----------------|-------|----------------|-------|----------------|-------|----------------|-------|----------------|-------|
| | STC | NOCT | STC | NOCT | STC | NOCT | STC | NOCT | STC | NOCT |
| Testing Condition | STC | NOCT | STC | NOCT | STC | NOCT | STC | NOCT | STC | NOCT |
| Maximum Power (Pmax/W) | 630 | 480 | 635 | 483 | 640 | 487 | 645 | 491 | 650 | 495 |
| Open Circuit Voltage (Voc/V) | 53.50 | 50.84 | 53.60 | 50.94 | 53.70 | 51.04 | 53.80 | 51.13 | 53.90 | 51.23 |
| Short Circuit Current (Isc/A) | 14.97 | 12.02 | 15.05 | 12.09 | 15.13 | 12.15 | 15.21 | 12.22 | 15.29 | 12.28 |
| Voltage at Maximum Power (Vmp/V) | 44.16 | 41.96 | 44.26 | 42.06 | 44.36 | 42.15 | 44.46 | 42.25 | 44.56 | 42.35 |
| Current at Maximum Power (Imp/A) | 14.27 | 11.44 | 14.35 | 11.50 | 14.43 | 11.56 | 14.51 | 11.63 | 14.59 | 11.69 |
| Module Efficiency(%) | 23.3 | | 23.5 | | 23.7 | | 23.9 | | 24.1 | |

Operating Parameters

| | |
|------------------------------------|---------------|
| Operational Temperature | -40°C ~ +85°C |
| Power Output Tolerance | 0 ~ 3% |
| Maximum System Voltage | DC1500V (IEC) |
| Maximum Series Fuse Rating | 25A |
| Nominal Operating Cell Temperature | 45±2°C |
| Protection Class | Class II |
| Fire Rating | IEC Class C |

Mechanical Loading

| | |
|-----------------------------------|--------------------------------------|
| Front Side Maximum Static Loading | 5400Pa |
| Rear Side Maximum Static Loading | 2400Pa |
| Hailstone Test | 25mm Hailstone at the speed of 23m/s |

Temperature Ratings (STC)

| | |
|---------------------------------|------------|
| Temperature Coefficient of Isc | +0.050%/°C |
| Temperature Coefficient of Voc | -0.200%/°C |
| Temperature Coefficient of Pmax | -0.260%/°C |



Specifications included in this datasheet are subject to change without notice. LONGI reserves the right of final interpretation. (20240927 V01 Draft)